

DA100



DA100 POWER TRIODE

DESCRIPTION

Type DA100 is a directly-heated triode having an oxide coated filament and is suitable for use in Class AB1 or AB2 amplifiers, or as a modulator.

RATINGS

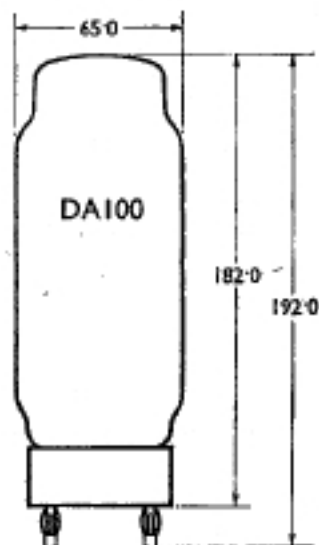
Filament Voltage	6.0	volts
Filament Current	2.7	approx. amps
Anode Voltage	1250	max. volts
Anode Dissipation	100	max. watts
Amplification Factor	5.5*	
Impedance	1410*	ohms
Mutual Conductance	3.9*	mA/V

* Measured at $V_a=1000$, $I_a=100$ mA.

Capacitances :

Grid to Filament	15.8	approx. pF
Anode to Filament	10.8	" "
Grid to Anode	15.7	" "

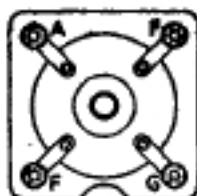
DIMENSIONS



MOUNTING POSITION

The valve should be mounted vertically with the base down.

BASE



View looking on underside of base.

SPECIAL 4-PIN

- A : Anode
- F : Filament
- G : Grid

All dimensions are in mm. and are the maximum unless otherwise stated.

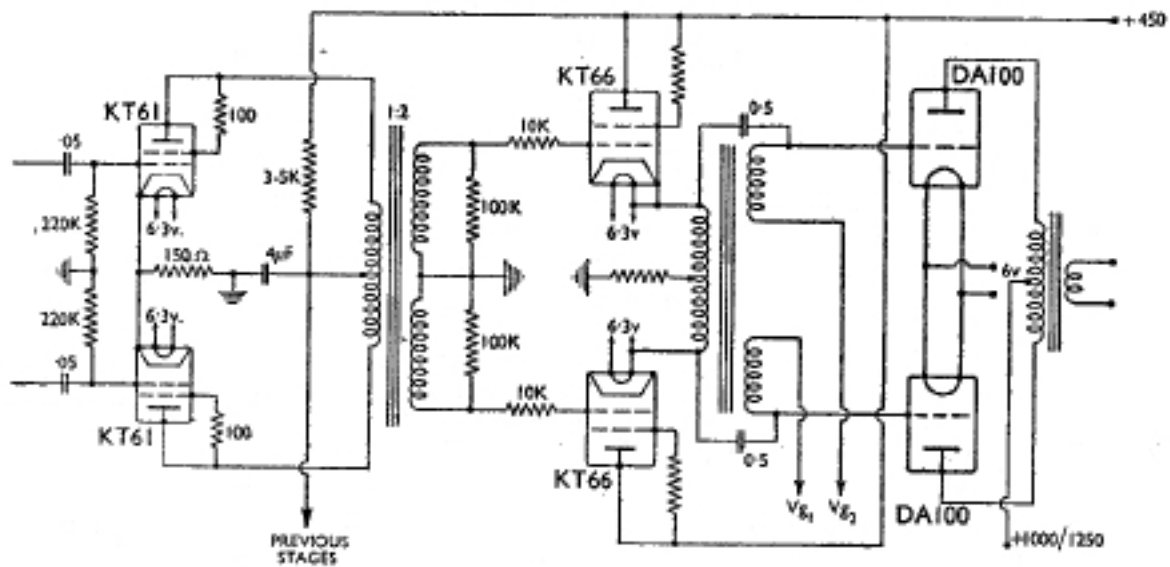
OPERATING CONDITIONS

Per pair unless otherwise stated

	CLASS AB1		CLASS AB2		
	1000	1250	1000	1250	
Anode Voltage (max. signal) ...	1000	1250	1000	1250	volts
Anode Current (no signal) ...	100	100	100	100	mA
Anode Current (max. signal) ...	330	300	300	365	mA
Anode Dissipation (no signal, per valve) ...	55	70	55	55	watts
Anode Dissipation (max. signal, per valve) ...	53	100	50	80	watts
Control Grid Voltage ...	-200	-225	-200	-225	volts
Signal Input (grid-to-grid) ...	400	450	500	560	peak volts
Control Grid Current ...	—	—	15	20	mA
Anode Load Resistance ...	4000	8000	8000	8000	ohms
Power Output ...	125	175	200	300	watts
Distortion ...	4	5	6	6	%

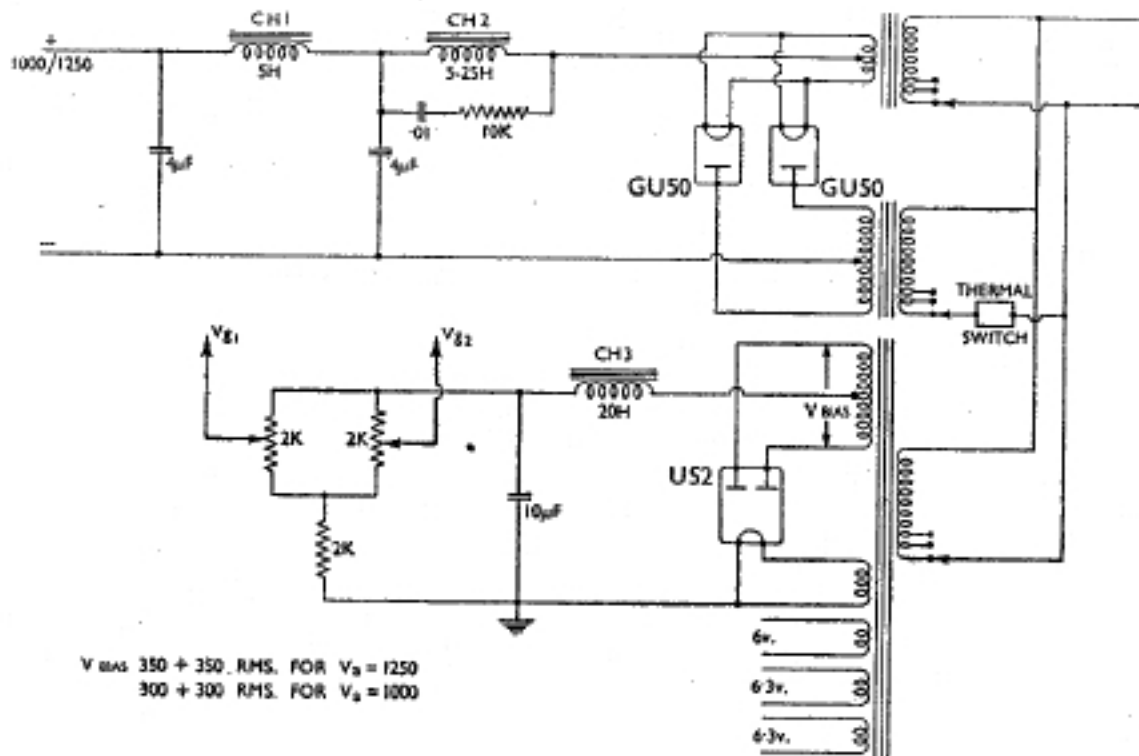
The power supply should have an impedance not exceeding 400 ohms. Under AB2 conditions the anode dissipation rises to a maximum at approximately one half full output.

TYPE DA100



CIRCUIT OF DA100 IN CLASS AB2

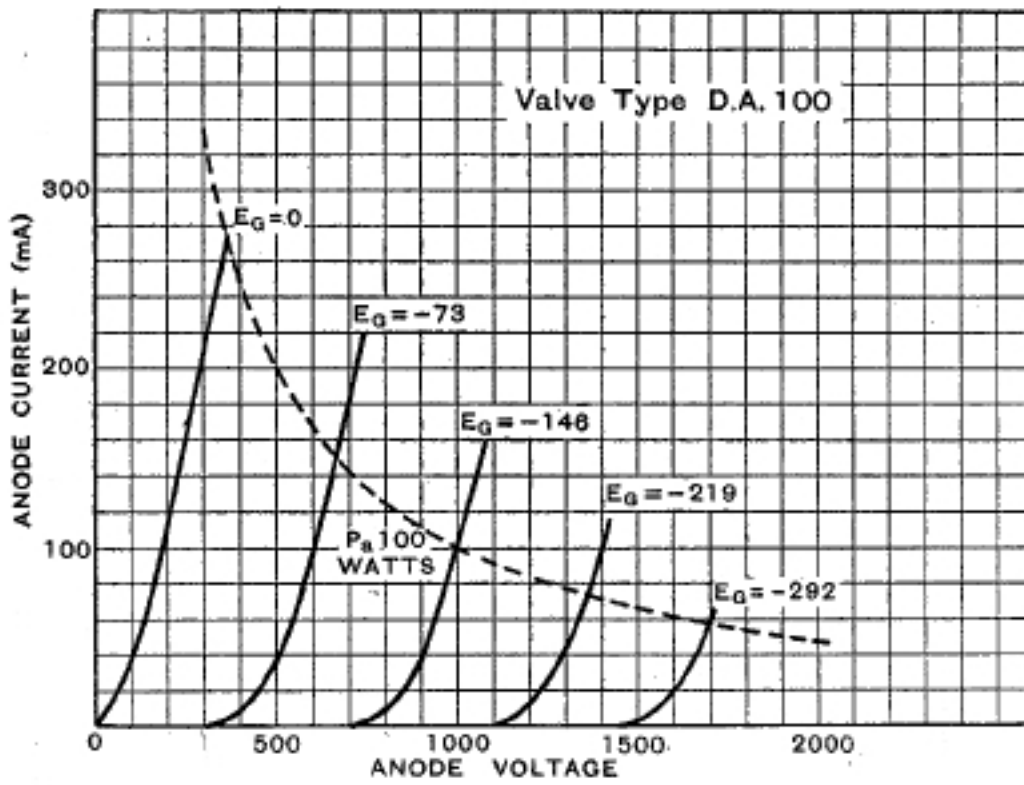
The earthing resistor for the centre tap of the second intervalve transformer is to be of such value that together with the d.c. resistance of the transformer it will equal 600Ω per valve. The value of the KT66 screen resistors is 100Ω each.



$V_{BAS} 350 + 350$ RMS. FOR $V_a = 1250$
 $300 + 300$ RMS. FOR $V_a = 1000$

Power supply for use with above.

TYPE DA100



CHARACTERISTIC CURVES OF AVERAGE VALVE.